

TCP G2



PROVEN AND RELIABLE

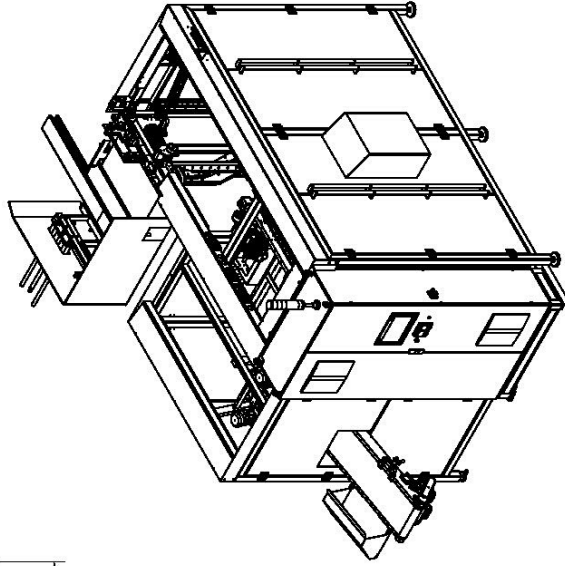
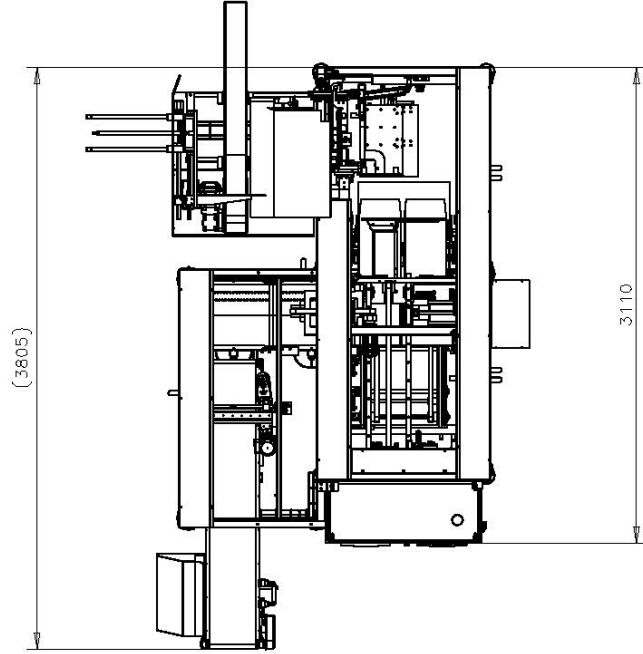
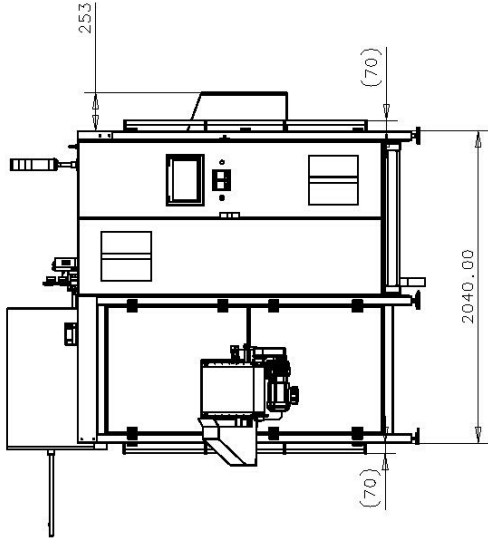
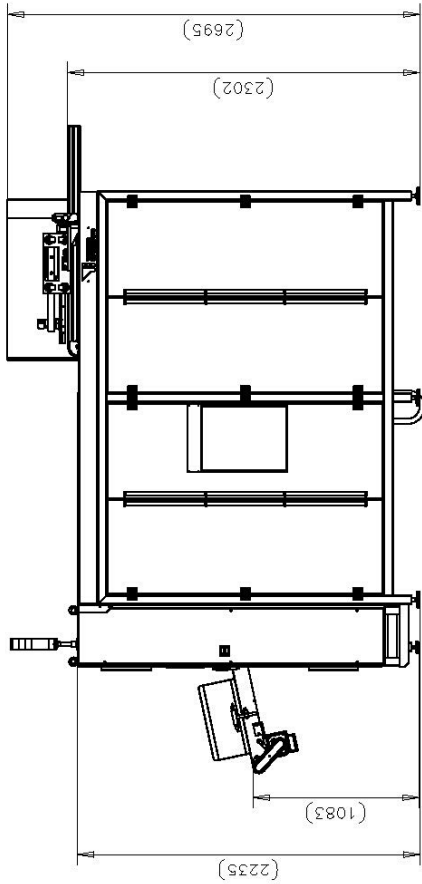
OUR EXISTING CASE PACKER FOR FLEXIBLE BAGS.

www.tronrud.no

- ✓ UP TO 140 BAGS PER MINUTE
- ✓ UP TO 11 CASES PER MINUTE
- ✓ SERVO TECHNOLOGY
- ✓ PACKML AND IIOT COMPLIANT
- ✓ UNIQUE COMPRESSION TECHNIQUE
- ✓ VERTICAL AND HORIZONTAL CAPABILITIES
- ✓ FULLY AUTOMATED CHANGEOVER

CONTACT:

Tronrud Engineering Packaging Technology
+47 32 16 18 20
packaging@tronrud.no



Notes:

Copyright reserved for machine without individual licenses indication.

NS-ISO 2768-1-m

Date: 21.06.19

Checked by/Date: [Signature]

Prepared by: [Signature]

Approved by/Date: [Signature]

Item information/Item name:

Information contained in this document is disclosed in confidence and may not be duplicated for other than internal purpose without prior written approval.

Material standards that applies to the drawing: n/d

Surface treatment: n/d

Total qty. for production: n/d

Scale: 1:35

Projection: [Symbol]

Qty: 1

Material: n/d

Stock dimension: n/d

Cut length: n/d

Form #: A3

Item #: 1190592

Rev: A

Alternate item #: n/d

Source item #: n/d

Part of welded item #: n/d

Process: n/d

Form #: A3

Item #: 1190592

Rev: A

Alternate item #: n/d

Source item #: n/d

Part of welded item #: n/d

Process: n/d

TRONRUD ENGINEERING AS
 Tronrud Engineering AS, Fyllovesveita 21, N-3514 Hellefos
 Tel: +47 32 16 18 20
 Fax: +47 32 15 75 88
 www.tronrud.no

Form #: A3

Item #: 1190592

Rev: A

Alternate item #: n/d

Source item #: n/d

Part of welded item #: n/d

Process: n/d

Scale: 1:35

Projection: [Symbol]

Form #: A3

Item #: 1190592

Rev: A

Alternate item #: n/d

Source item #: n/d

Part of welded item #: n/d

Process: n/d

TRONRUD ENGINEERING AS
 Tronrud Engineering AS, Fyllovesveita 21, N-3514 Hellefos
 Tel: +47 32 16 18 20
 Fax: +47 32 15 75 88
 www.tronrud.no

Form #: A3

Item #: 1190592

Rev: A

Alternate item #: n/d

Source item #: n/d

Part of welded item #: n/d

Process: n/d

SHEET 1 OF 1