

TCP PN12

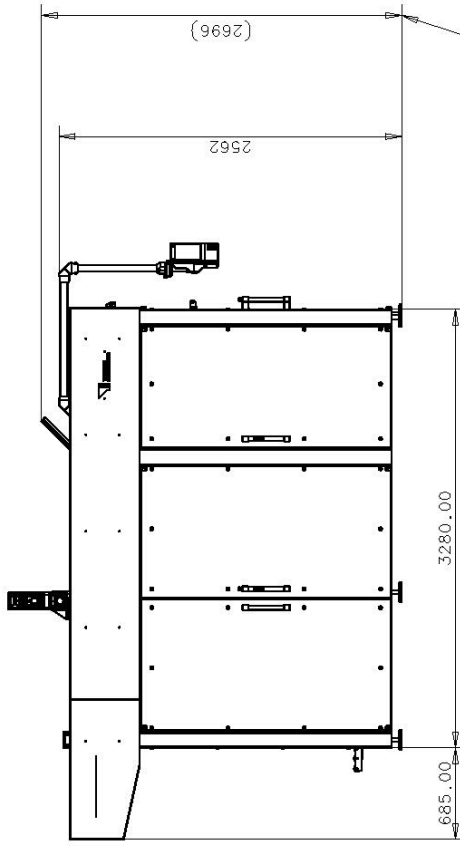
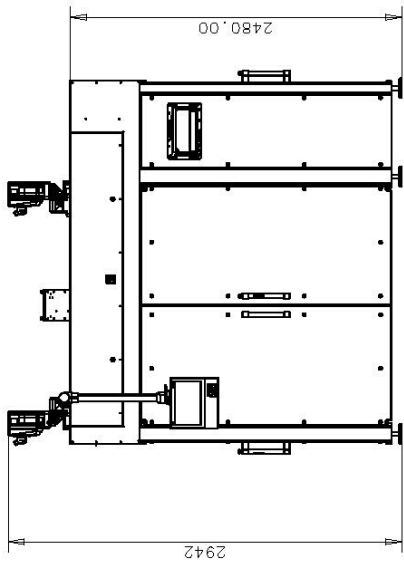
MEAN AND LEAN

OUR NEW REVOLUTIONARY CASE PACKER FOR
FLEXIBLE BAGS

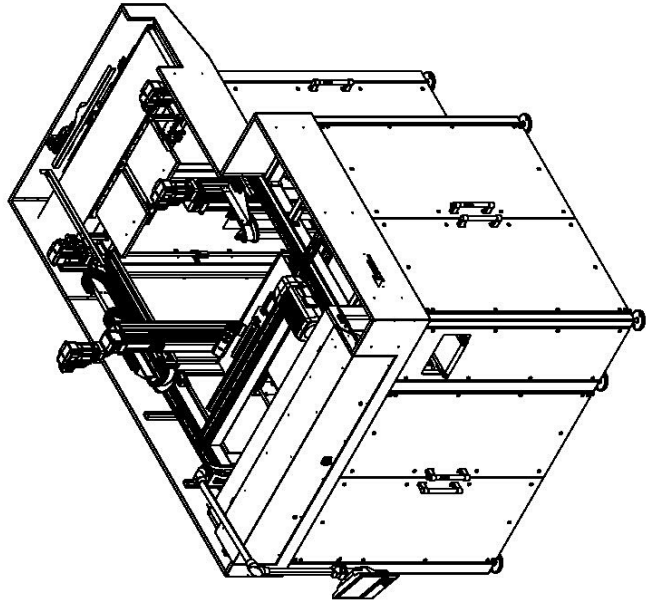
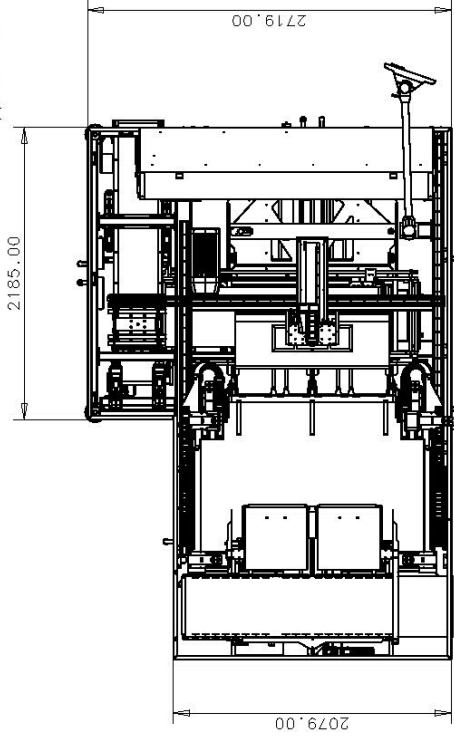
www.tronrud.no

- ✓ UP TO 300 BAGS PER MINUTE
- ✓ UP TO 20 CASES PER MINUTE
- ✓ DISTRIBUTED SERVO
- ✓ PACKML AND IIOT
- ✓ NO AIR CONNECTION
- ✓ AUTOMATED CHANGE OVER
- ✓ ELECTRONIC OPERATION
- ✓ MIXING FROM MULTIPLE FILLING MACHINES

CONTACT:
Tronrud Engineering Packaging Technology
+47 32 16 18 20
packaging@tronrud.no



Only if the machine is supposed to run trays



Notes:

Copyright reserved for features without individual tolerance indications.
 NS-ISO 2768-1-m
 Date: 26.03.18
 Prepared by: BS
 Checked by/Date: Approved by/Date:
 Item information/Item name:
 Information contained in this document is disclosed in confidence and may not be duplicated for other than intended purpose without prior written approval.

Additional standards that applies to the drawing: n/a
 Surface treatment: n/a
 Total Qty. for production: n/a
 Scale: 1:40
 Projection: 1st angle

Stock dimension: n/a
 Material: n/a
 Qty: 1

Formal Item #: A3
 Item #: 1179493
 Rev: A

Part of welded item #: n/a
 Source item #: n/a

Process: n/a
 TCP 300-16 prototype
 Forming: n/a
 Alternate item #: n/a
 SHEET 1 OF 1

TRONTRUD ENGINEERING AS
 Tronrud Engineering AS, Fyllovesveita 22, N-3514 Hellefos
 Tel: +47 32 16 18 20
 Fax: +47 32 15 75 88
 e-mail: www.tronrud.no

